

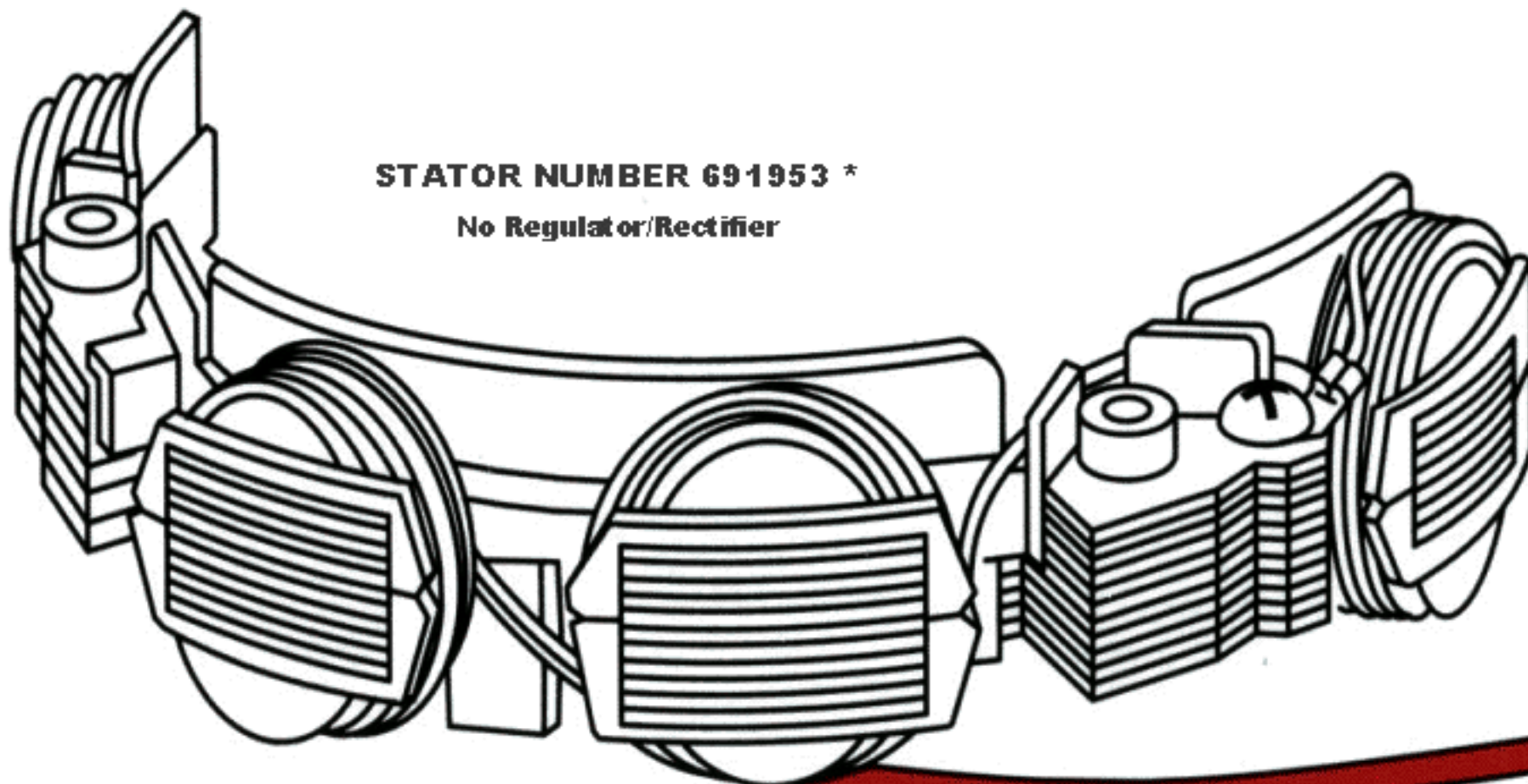
BRIGGS & STRATTON Customer Education Department
AC Only Alternator 14 Volts AC min (at 3600 RPM) No Regulator/Rectifier



XX

STATOR NUMBER 691953 *

No Regulator/Rectifier



RED WIRE



RED CONNECTOR



BRIGGS & STRATTON Customer Education Department
DC Only Alternator 2-4 Amp DC Regulated (at 3600 RPM)

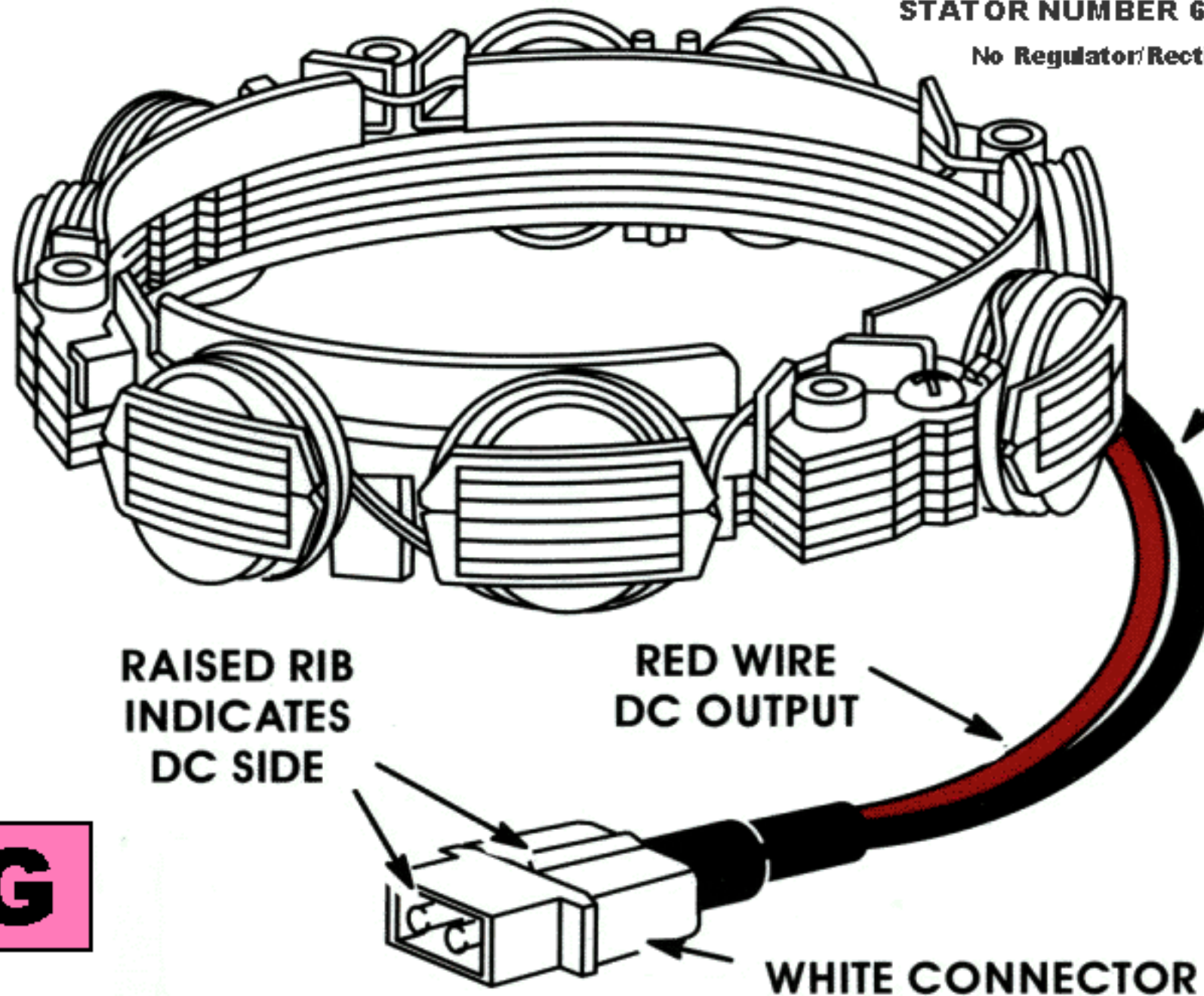


XX

STATOR NUMBER 691063 *

No Regulator/Rectifier

**BLACK WIRE-
AC OUTPUT**



**RAISED RIB
INDICATES
DC SIDE**

**RED WIRE
DC OUTPUT**

WHITE CONNECTOR

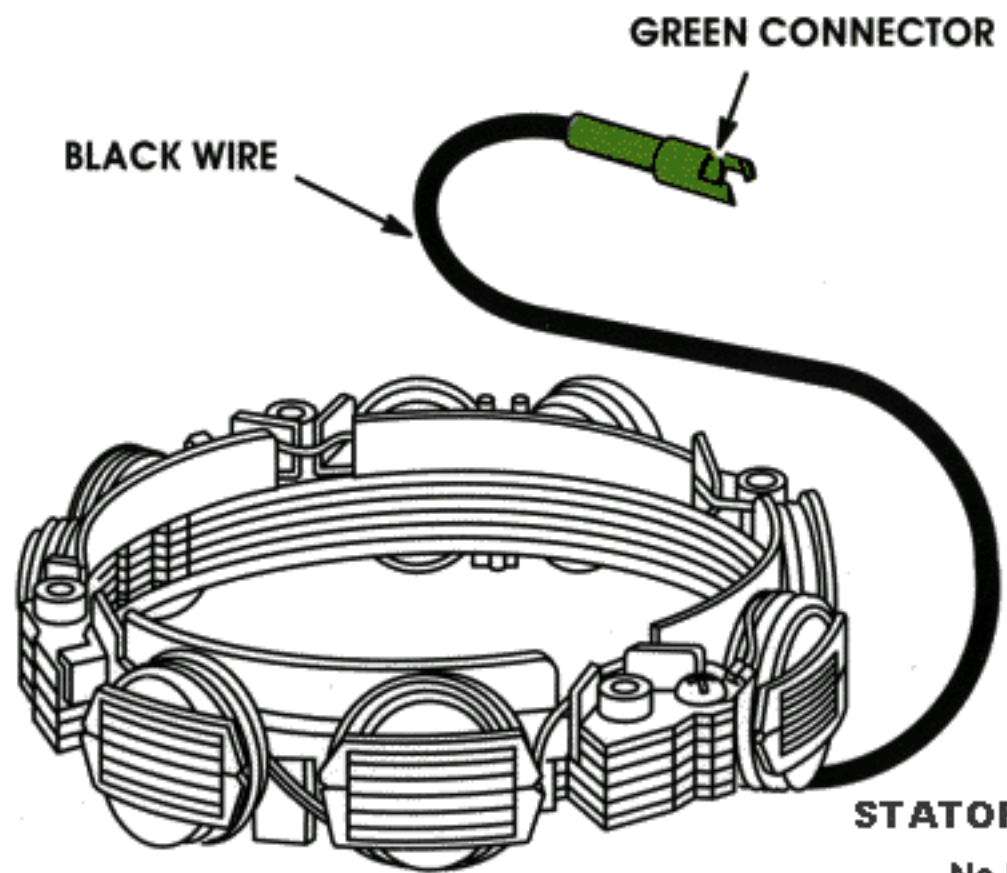
G

BRIGGS & STRATTON Customer Education Department
Dual Circuit Alternator 14 Volts AC (Min) at 3600 RPM, 2-4 A, DC Unregulated





HARNESS PART NUMBER 691955 *



H

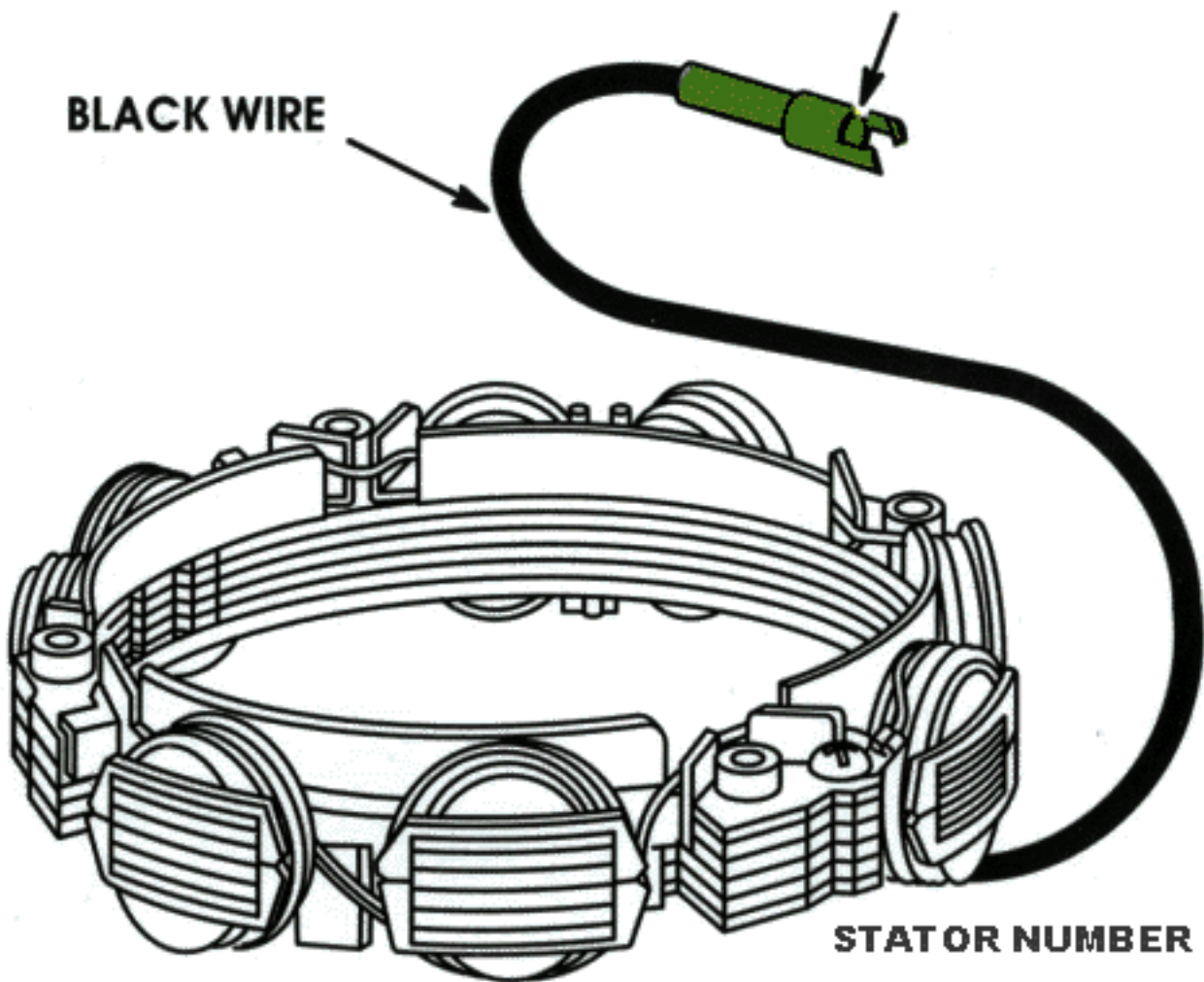
BRIGGS & STRATTON Customer Education Department
 Tri-Circuit Alternator 28 Volts AC(Min) at 3600 RPM



H

GREEN CONNECTOR

BLACK WIRE



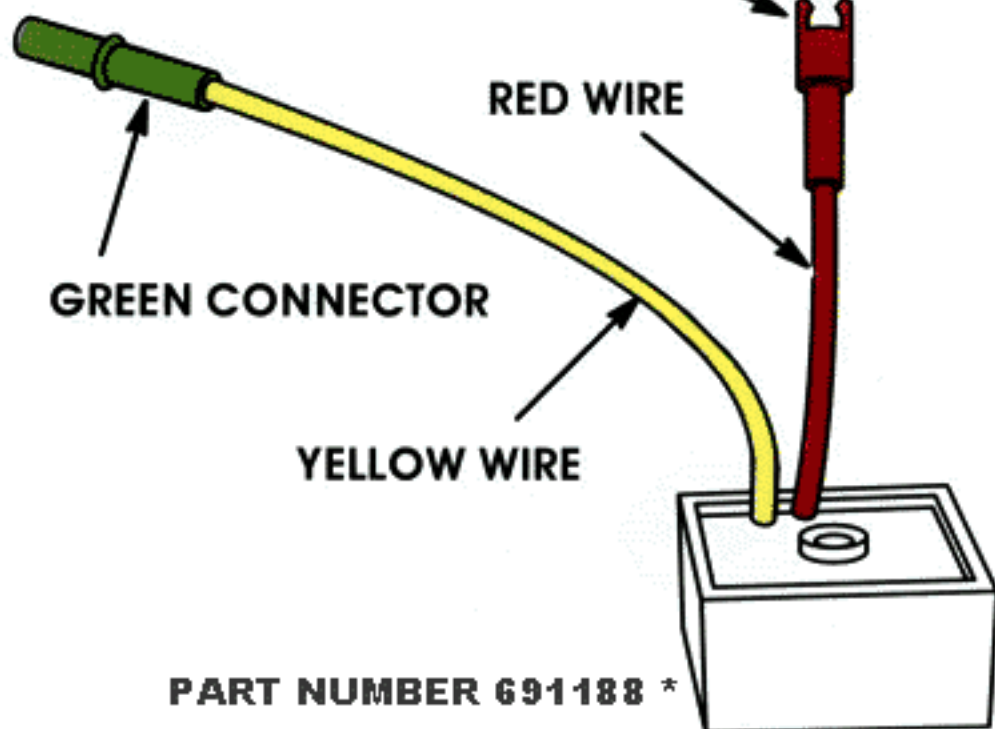
STATOR NUMBER 691065 *

RED CONNECTOR

RED WIRE

GREEN CONNECTOR

YELLOW WIRE



PART NUMBER 691188 *

REGULATOR/RECTIFIER

BRIGGS & STRATTON Customer Education Department

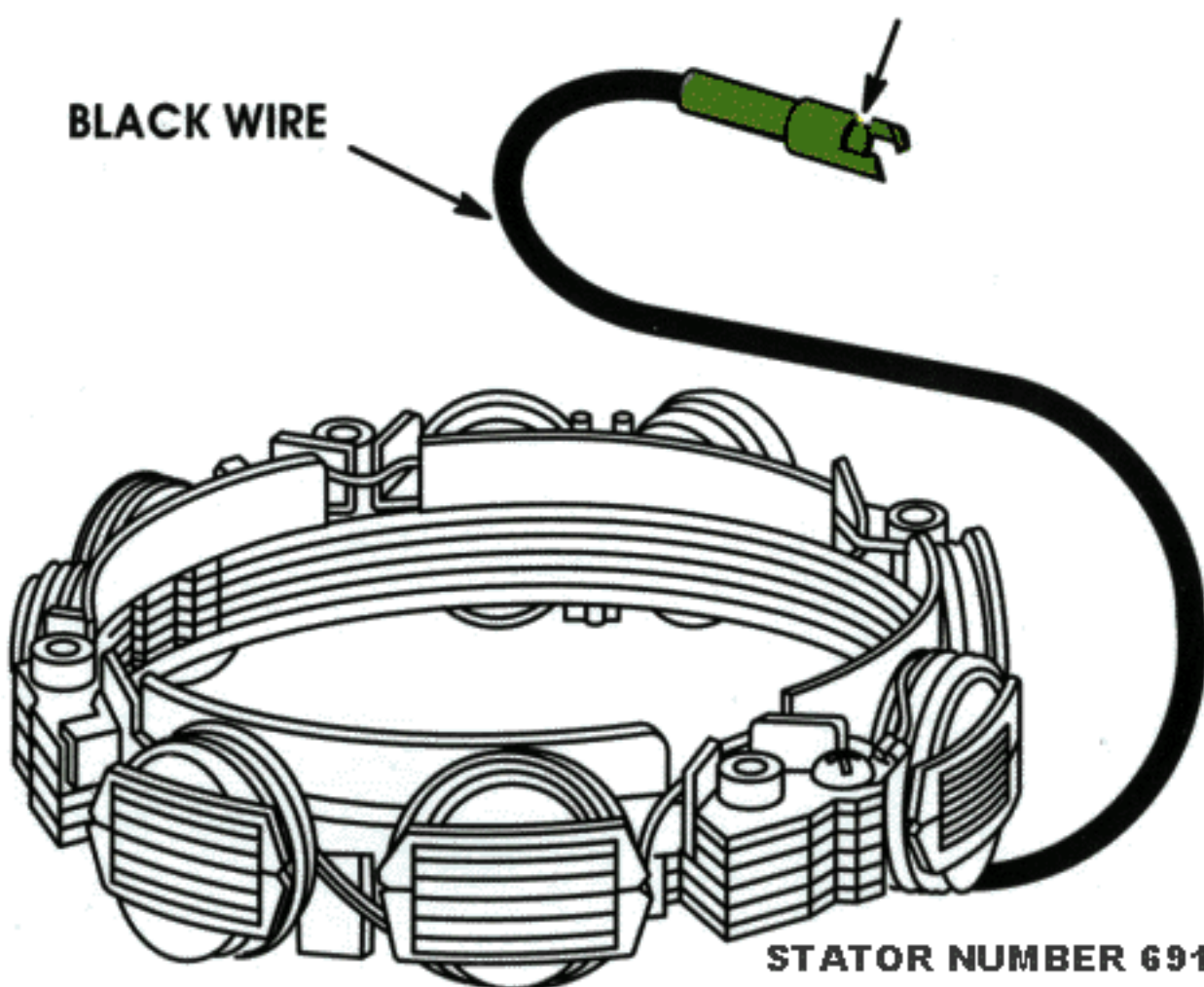
@ 3600 RPMs-5A Alternator 28 Volts AC(Min) at Stator; 5A, DC Regulated-red wire



H

GREEN CONNECTOR

BLACK WIRE



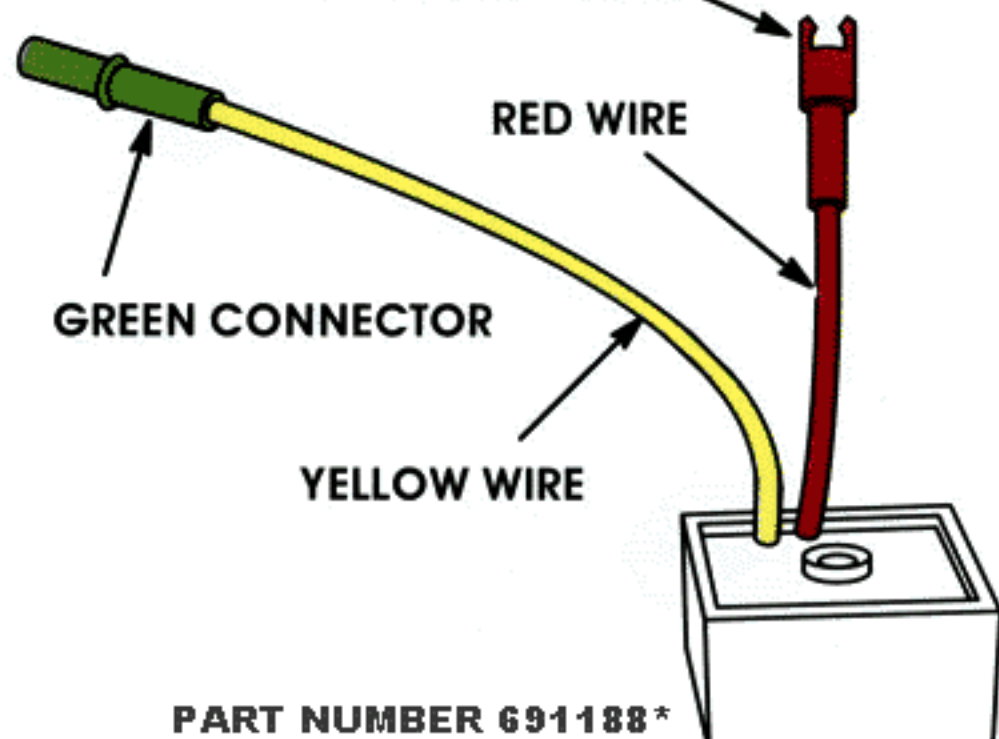
STATOR NUMBER 691065*

RED CONNECTOR

RED WIRE

GREEN CONNECTOR

YELLOW WIRE



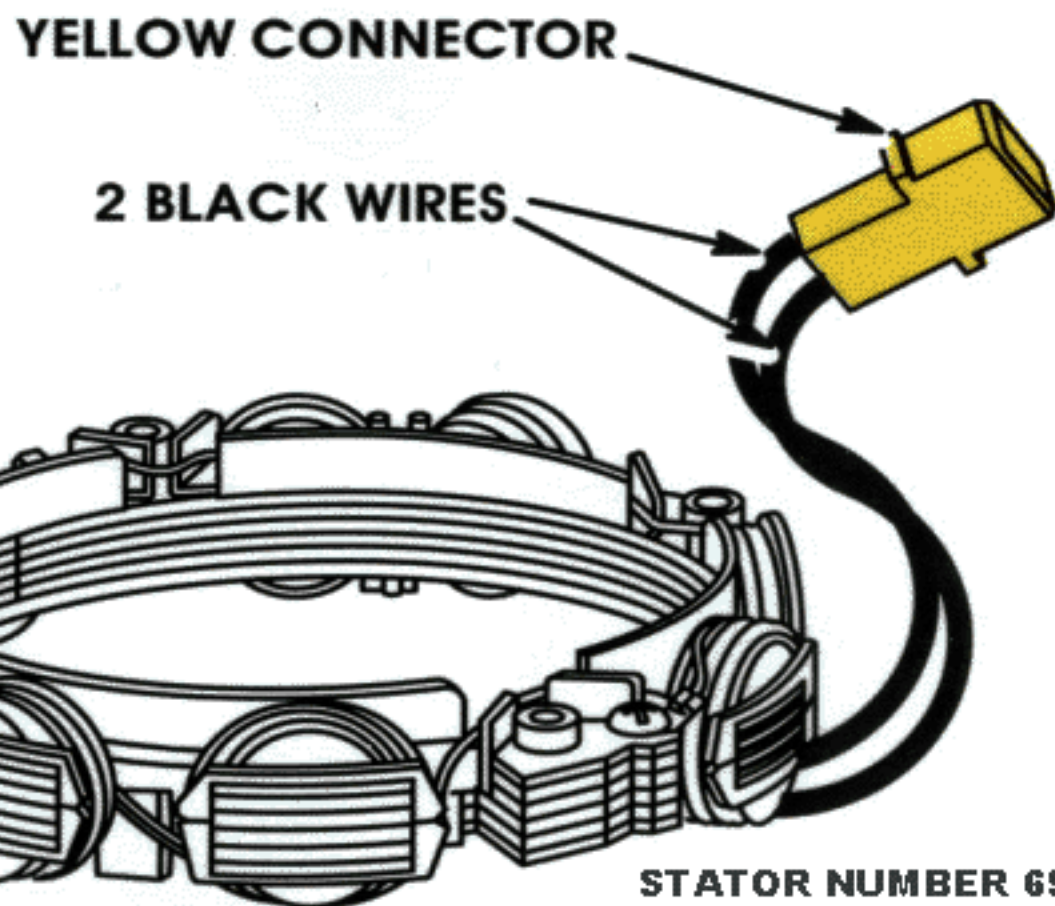
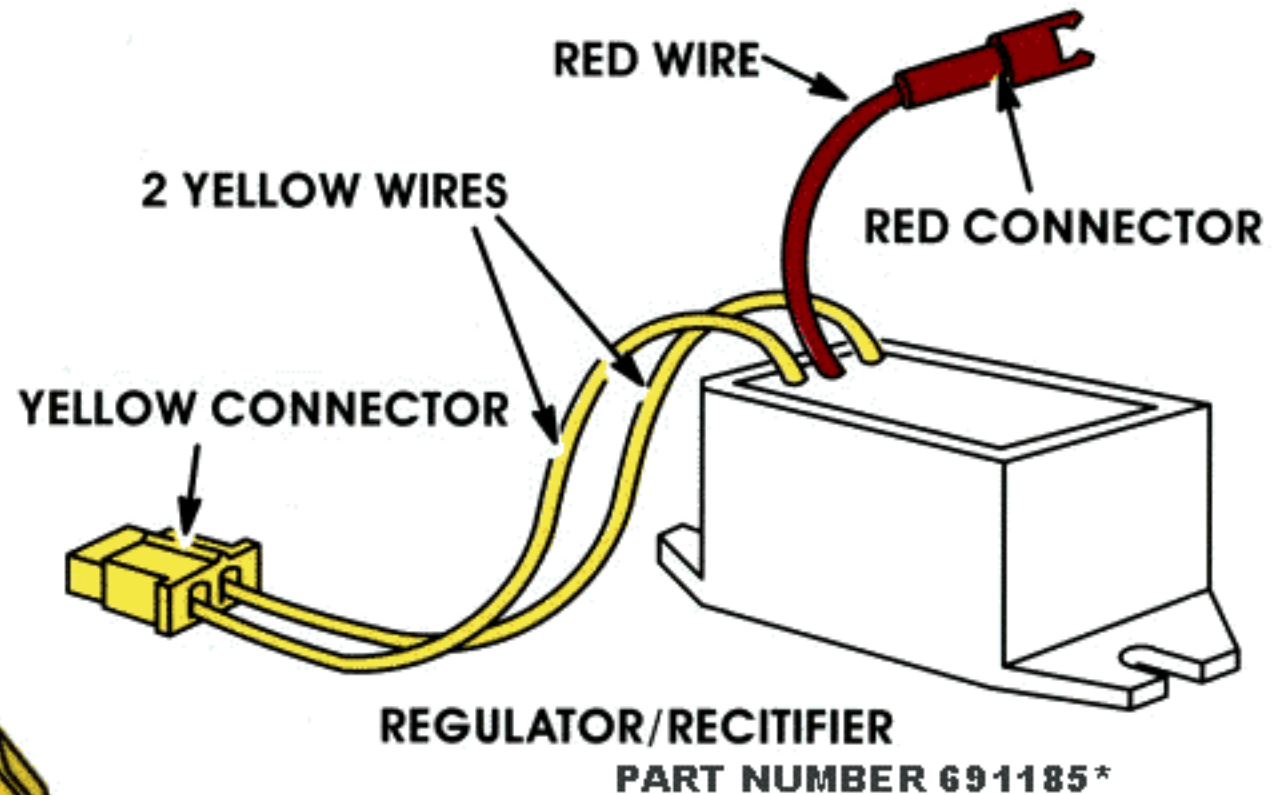
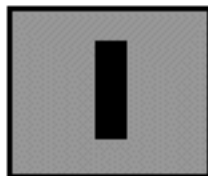
PART NUMBER 691188*

REGULATOR/RECTIFIER

BRIGGS & STRATTON Customer Education Department

@ 3600 RPMs-9A Alternator 40 Volts AC(Min) at Stator; 9A, DC Regulated-red wire

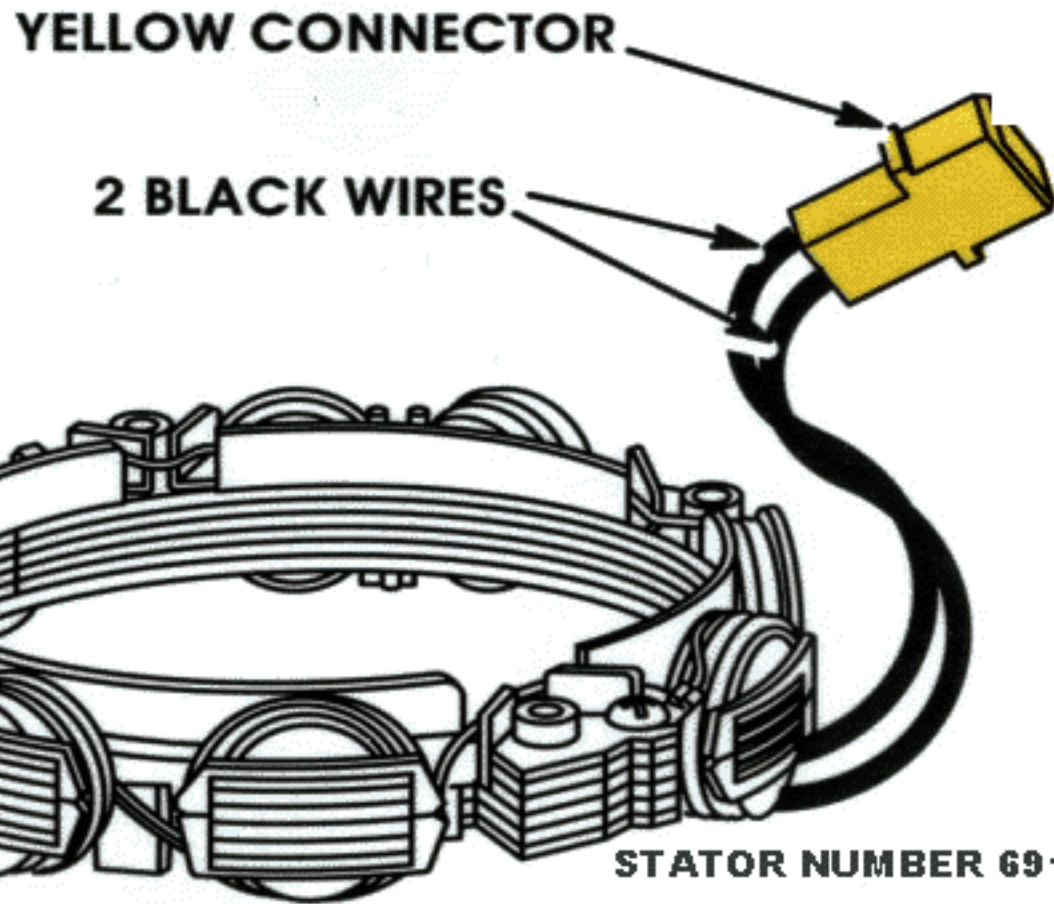
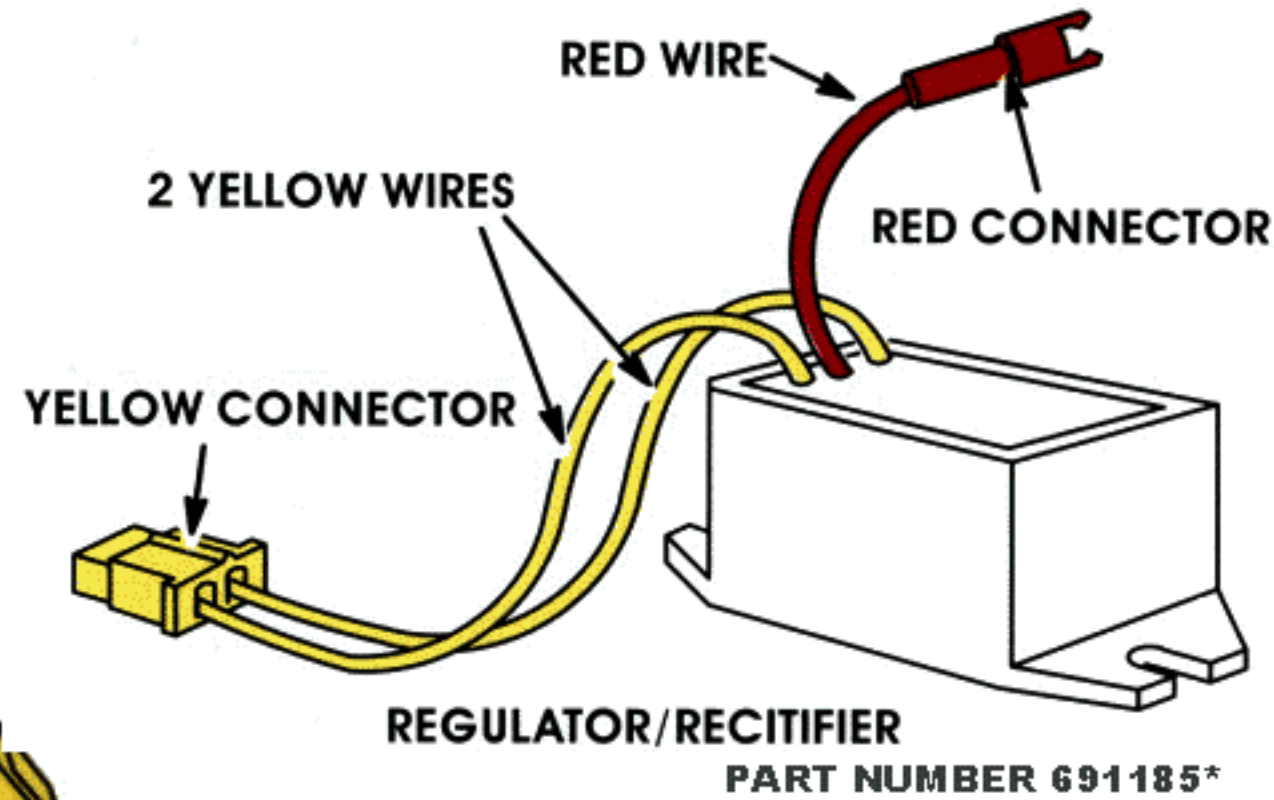
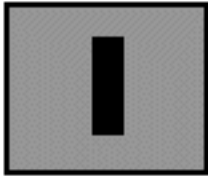




BRIGGS & STRATTON Customer Education Department
@ 3600 RPMs- 10A Alternator 20 Volts AC(Min) at Stator; 10A, DC Regulated-red wire



XX

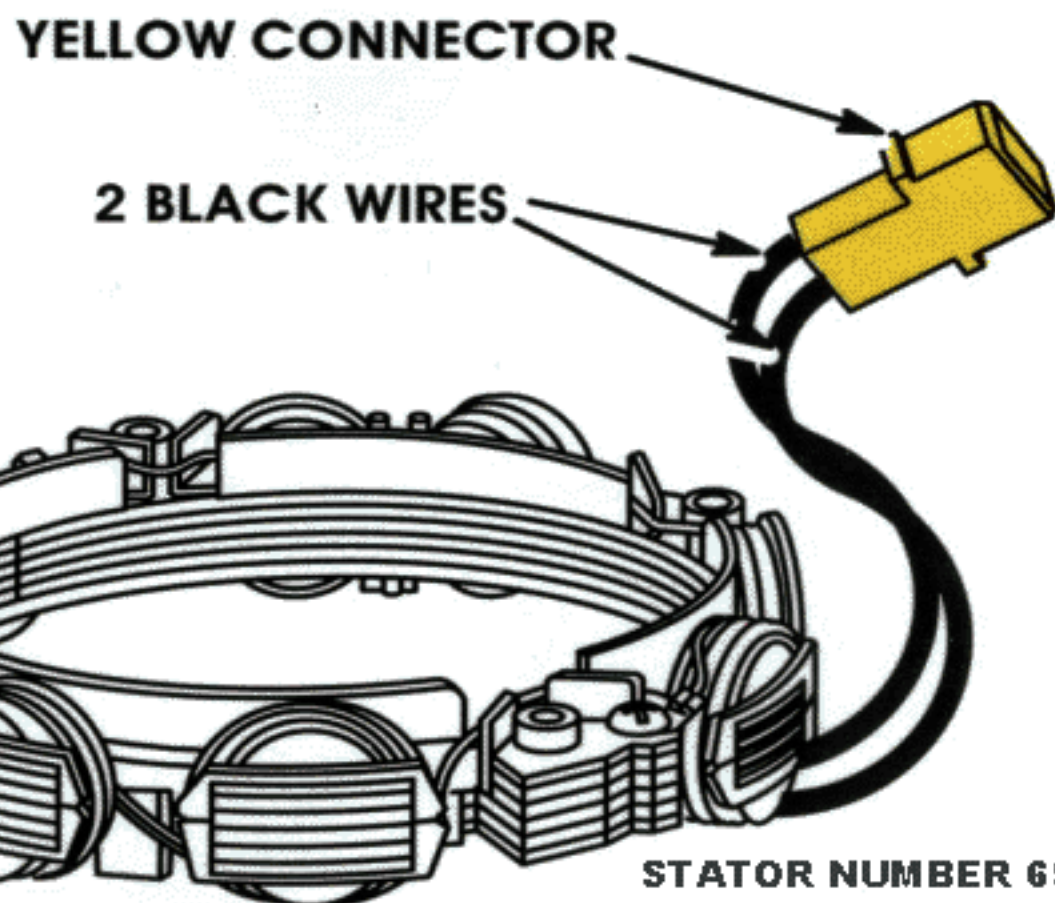
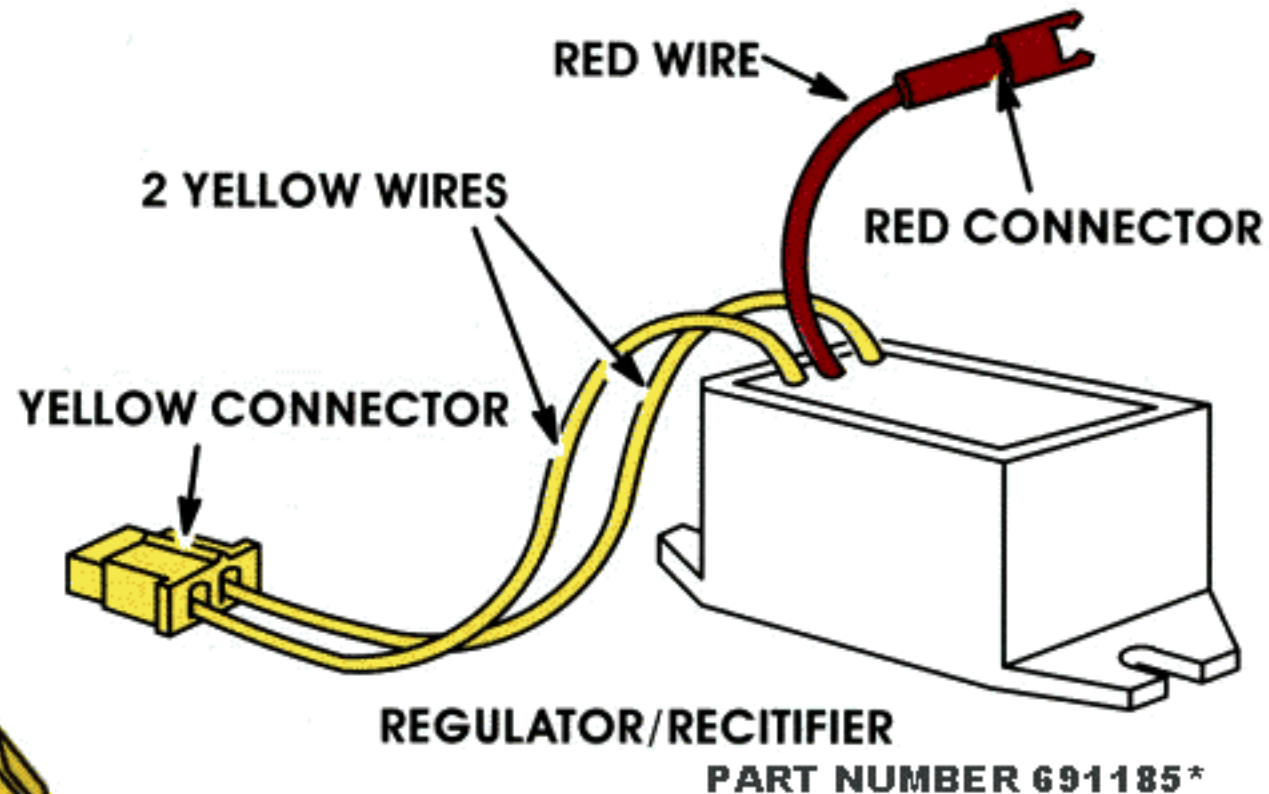
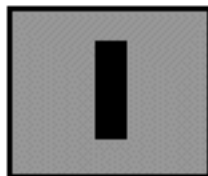


**No Longer in Production

BRIGGS & STRATTON Customer Education Department
 @ 3600 RPMs 13A Alternator** 20 Volts AC(Min) at Stator; 13A, DC Regulated-red wire



XX



BRIGGS & STRATTON Customer Education Department

@ 3600 RPMs- 16A Alternator 30 Volts AC(Min) at Stator; 16A, DC Regulated-red wire



XX



STATOR NUMBER 691364*

TWO YELLOW LEADS FROM STATOR

REGULATOR RECTIFIER WITH HEAT SINK

ONE RED DC OUTPUT LEAD

RED DC OUTPUT LEAD FROM WHITE CONNECTOR

WHITE CONNECTOR

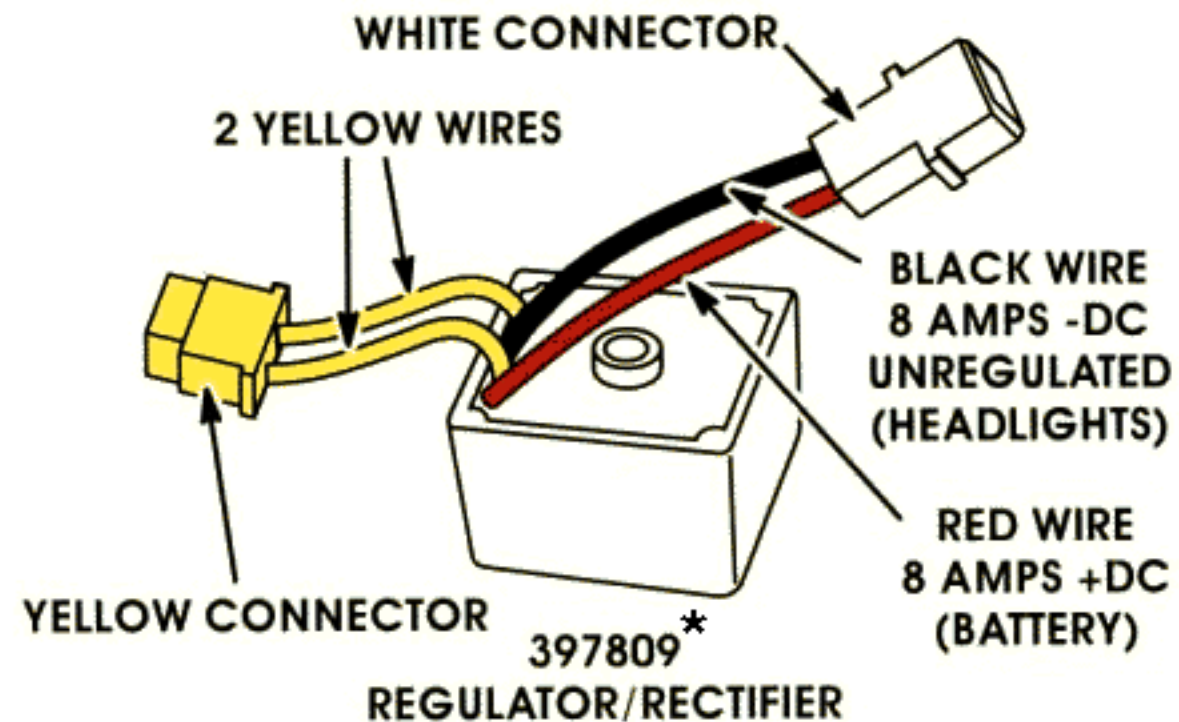
TWO YELLOW AC INPUT LEADS

PART NUMBER 691573*

BRIGGS & STRATTON Customer Education Department
@3600 RPMs-20A Alternator 29 Volts AC(Min) at Stator; 20A, DC Regulated-red wire

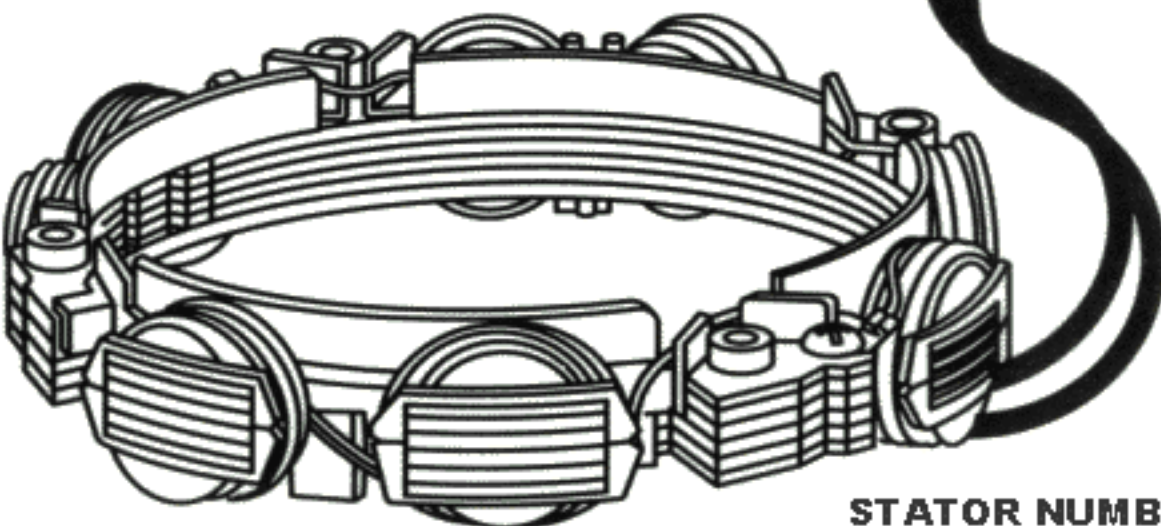


XX



YELLOW CONNECTOR

2 BLACK WIRES



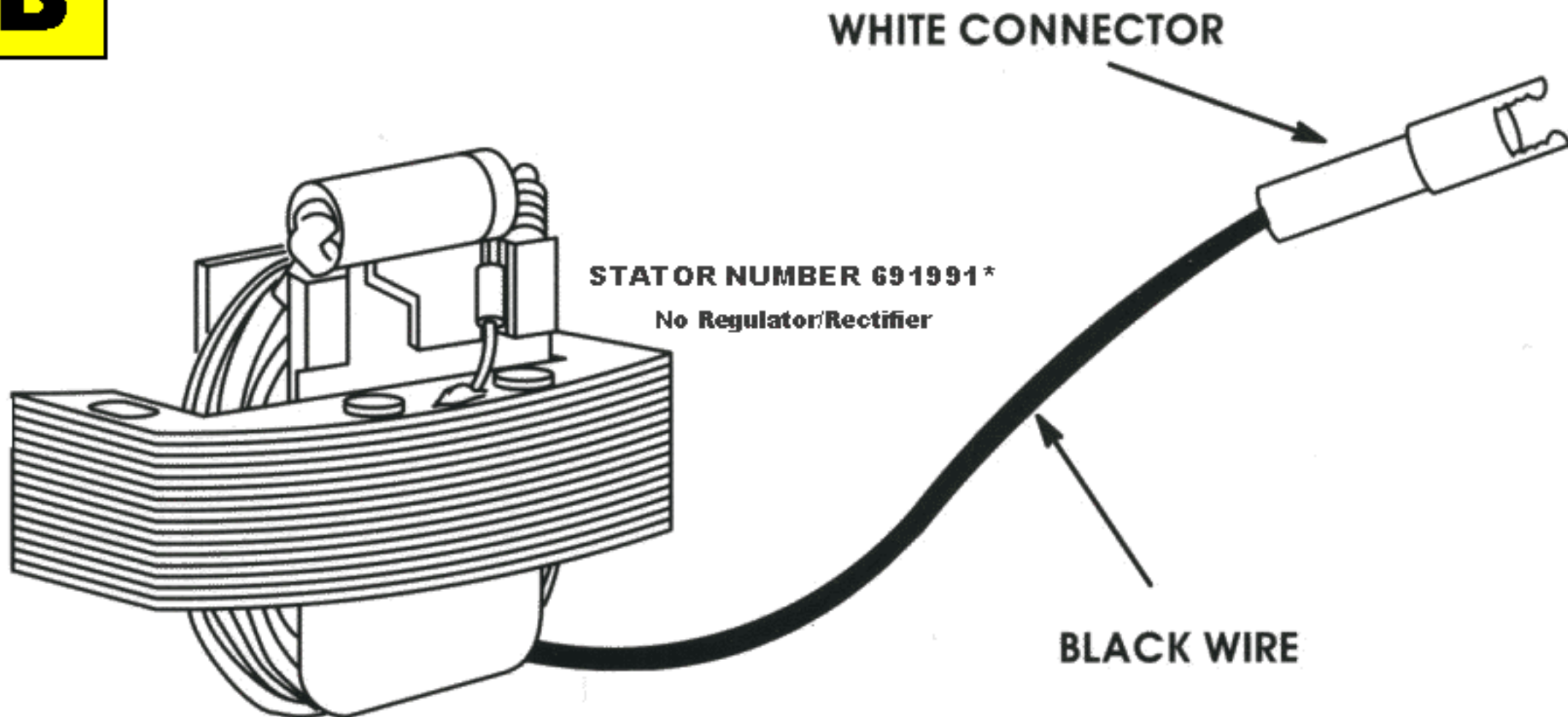
STATOR NUMBER 691064*

**No Longer in Production

BRIGGS & STRATTON Customer Education Department
 @ 3600 RPMs-Quad Circuit Alternator** 30 Volts AC(Min) at Stator; 8A, DC Regulated
 red and black wire



XX

B

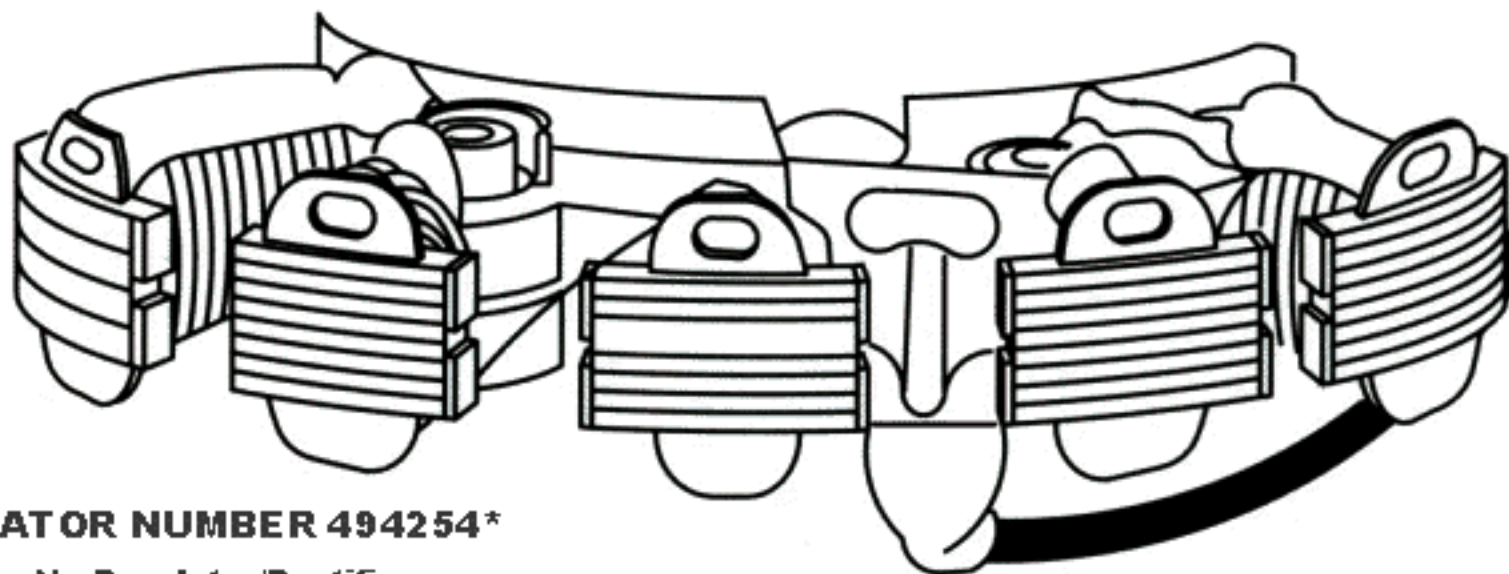
BRIGGS & STRATTON Customer Education Department
DC Only Alternator .5A, DC Unregulated (Output at 2800 RPM)



C

RED CONNECTOR

BLACK WIRE



STATOR NUMBER 494254*

No Regulator/Rectifier

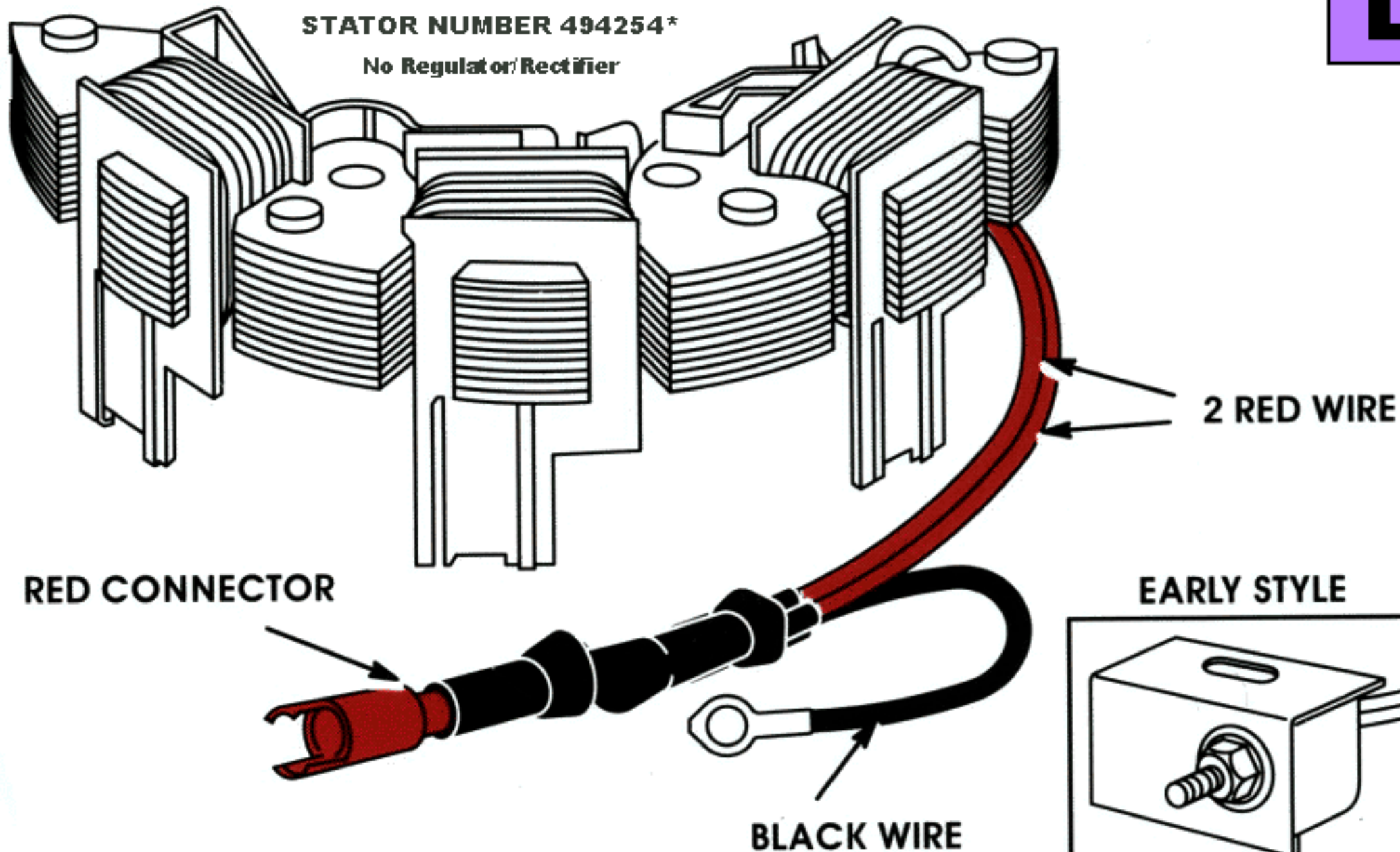
BRIGGS & STRATTON Customer Education Department
@ 3600 RPMs-DC Only Alternator 1.2A, DC Unregulated





STATOR NUMBER 494254*

No Regulator/Rectifier

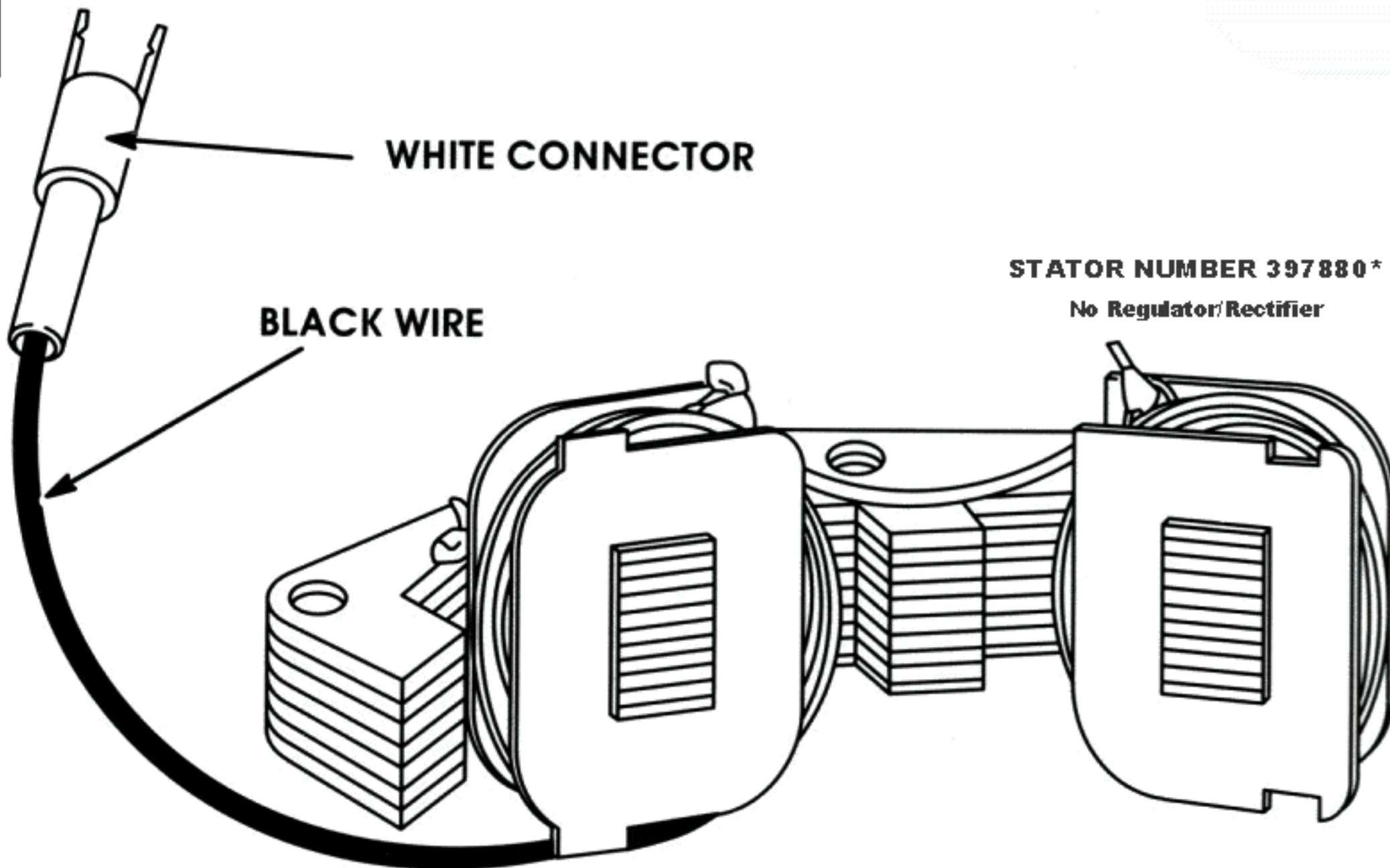


**No Longer in Production

BRIGGS & STRATTON Customer Education Department
@ 3600 RPMs-DC Only Alternator 1.5A, DC Unregulated**



A



BRIGGS & STRATTON Customer Education Department
System 3/System 4 .5A, DC Unregulated (Output at 2800 RPM)

